

# Data Sheet

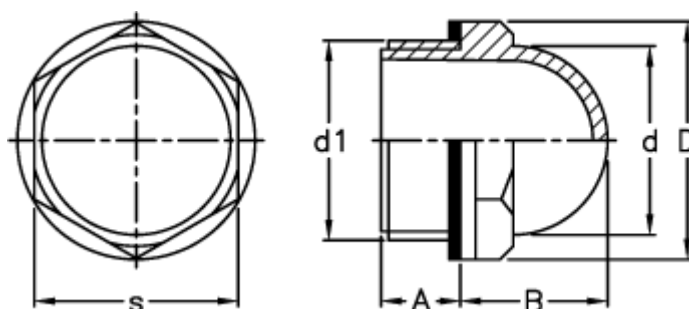


Article number: 2311011001

Description: E+G Oil circulation sight  
HCFE.20-3/4

## Measures

---



A	= 10.5
B	= 19.5
d	= 25
D	= 31.5
d1	= G 3/4
s	= 27.0
Tightening torque N m = 6 to 8	